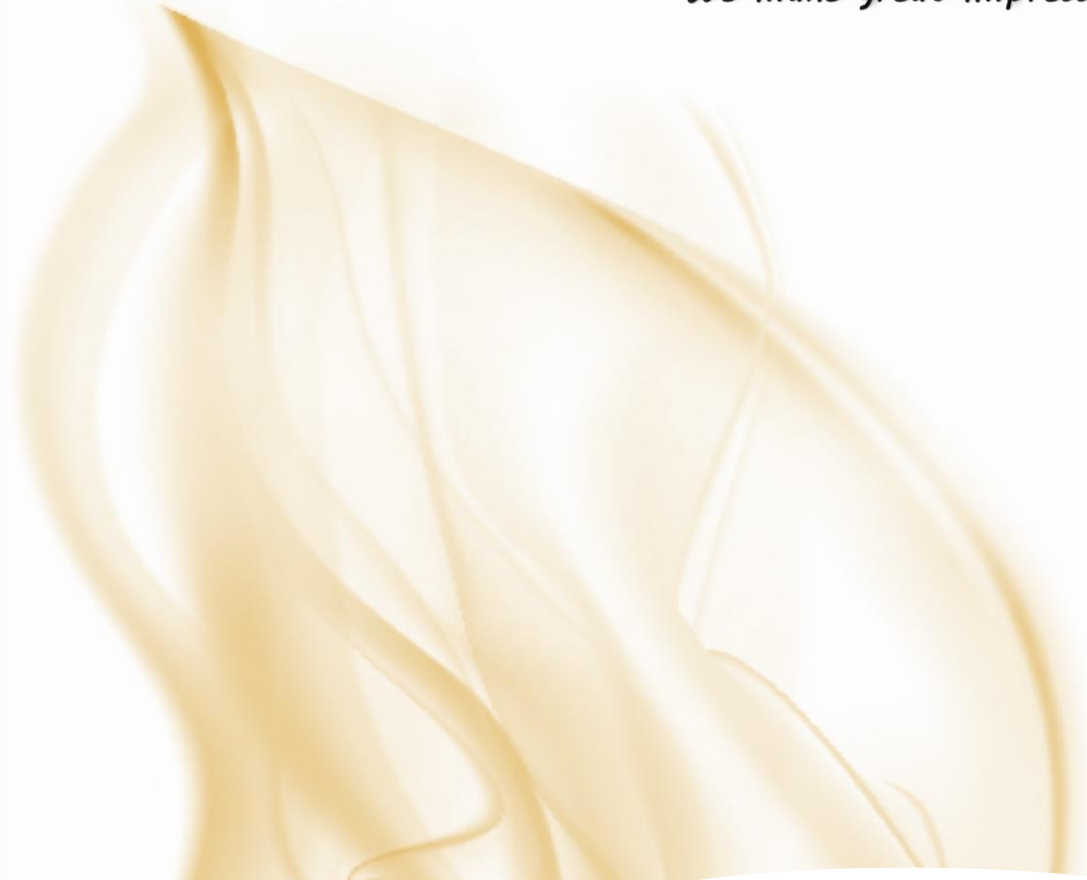


ISO 9001:2015 Quality Management System ISO  
22000:2018 Food Safety Management System

*We make great impressions!*



**IML PACKAGING**



*A natural touch to our packaging*

**IML INNOVATIVE PACKAGING PRODUCTS**  
The initiative of SATGURU Plasticpack LLP



*Packaging is the silent marketing tools*

Mr. Chaudhari (Founder & CEO) inventor spirit and his great enthusiasm for the best possible technical solution characterize him. To date, the founder has been keeping IML at the peak of excellence through permanent innovation Since 2016.

He has always been interested in finding the best solutions ever since the foundation of the company at the Bakrol G.I.D.C. in Ahmadabad-Gujarat, India. What drives him for-ward are his enthusiasm for technology and his desire to develop innovative products and solutions.

Within a few years, this motivation led to the emergence of a growing family business. The wide range of products showcases the full spectrum of what modern technology has to offer. Gradually over time this evolved into a successful long-term concept. It serves to ensure that our shared expertise and a spirit of customer-oriented service remain in our company in the future.

Our current growth strategy is based on these foundations and is being carried into the future with the next generation of our family. And this perspective allows us to face the future with confidence.

The new corporate building is another sign that we take our mission seriously and that our actions are always driven by a vision of sustainability that inspires confidence in our customers.

We always strive to provide added value to both sides – as evidenced by our long-standing customer relationships.

## How are we different?

### **Customer's target market....**

By specializing in a specific customer niche, we can focus on the IML packaging products that uniquely benefit to customer. To provide a unique solution on packaging for maximize satisfied and build stronger customer relationships.

### **Focus on superior customer service....**

Aim to create the best experience to customers. From our initial proposal through a final delivery commitment of your products and service, be sure our customers are treated as if they were the only one we have.

### **Solve a problem....**

We try to find what common packaging problems to our clients have and the best at solving them. We make a turnkey solutions so we can solve their problems faster and with better results. Try to get to the solution faster and more accurately.

### **Innovative packaging products....**

We have developed new and exciting IML innovative products in close cooperation with our customers. We produce of customized packaging products for our customers, meeting all of their needs. From initial design down to the dispatch line, we take care of it all, creating sturdy, reliable goods. We've built up our reputation to become one of the best-known names in the industry. Take a look at what we do here.

### **Our offers those are too hard to ignore....**

Protecting and maintaining brand value as per customer's packaging strategy. Assured consignment delivery.

### **Be keep the expert in IML packaging field....**

Develop any customized new IML packaging product as per customer required.

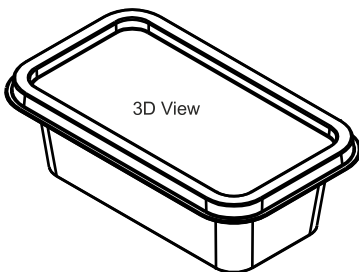
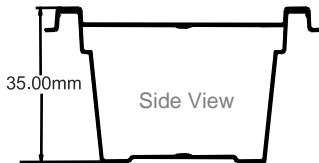
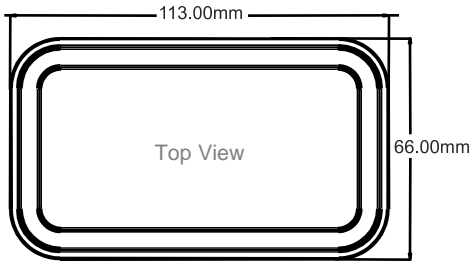
### **Easy to do business with us....**

Our business model it's easy as possible to work with us. Customer can access to us via text or email 24×7. Simplify our contact use an engagement on here. It takes to work with us easy and convenient.

### **A unique business model based on values....**

Looking what we sell as an investment to the customer is making rather than a purchase.

### Item Code: A-54-100-1/4 RECTANGULAR CONTAINER WITH LID



#### Volume (Density 1 g/cm<sup>3</sup>)

Description	Unit	Standard
Gross Volume of Container	ml	150
Closed Container with Lid	ml	100 – 120

The density of water is 1 gram per cubic centimetre. Tolerance (+ / -) : 5 ml

#### Dimensions (External)

Description	Unit	Length	Width	Height
Container	mm	106.7	59	34.6
Lid	mm	113	66	6
Container with Lid	mm	113	66	35

Tolerance (+ / -) : 1 mm

#### Specification (Average)

Description	Weight (gm)	Thickness (mm)
Container	6.00	0.52
Lid	3.70	0.50
Container with Lid	9.70	0.51

Tolerance (+ / -) : 0.5 gm and 0.1 mm

#### PRODUCTS FUTURES AND ADVANTAGES

- Products to create thin wall IML (In-mould labeled) container standard.
- Manufacturing by robotic technology and Unit facilities – become **Hygienic** container.
- Raw material used polypropylene copolymer **Food grade**.
- **Recyclable** is easier reducing the cost and improving the value of product.
- Label images are **Five side** on container and **Top side** on Lid.
- Container right for **Seal pack** and avoid leakage.

#### APPLICABLE FOR PACKAGING

- DAIRY and FOOD PRODUCTS.



The initiative of SATGURU Plasticpack LLP



Narendra Chaudhari  
+91 9327526541

CONTACT :  
+91 70434 01414

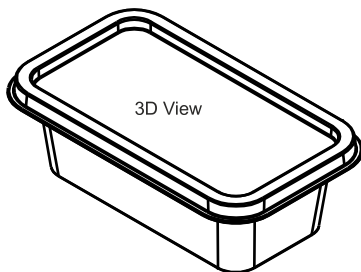
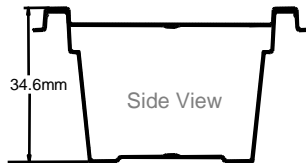
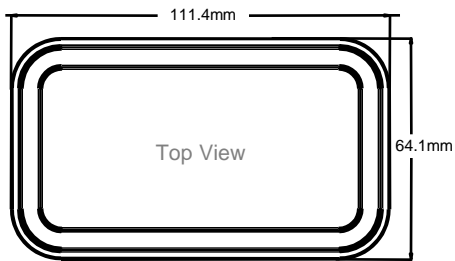


info@satguru-plastic-pack.com  
sales@satguru-plastic-pack.com



www.satguru-plastic-pack.com

**Item Code: F-40-80-1-8  
RECTANGULAR CONTAINER WITH LID**



Volume (Density 1 g/cm <sup>3</sup> )				
Description	Unit	Standard		
Gross Volume of Container	ml	100		
Closed Container with Lid	ml	80 – 90		
The density of water is 1 gram per cubic centimetre.		Tolerance ( + / - ) : 5 ml		
Dimensions (External)				
Description	Unit	Length	Width	Height
Container	mm	105.6	58.2	30.8
Lid	mm	111.4	64.1	5.1
Container with Lid	mm	111.4	64.1	31.4
		Tolerance ( + / - ) : 1 mm		
Specification (Average)				
Description	Weight (gm)	Thickness (mm)		
Container	6.15	0.58		
Lid	4.02	0.52		
Container with Lid	10.22	0.54		
		Tolerance ( + / - ) : 0.5 gm and 0.1 mm		

**PRODUCTS FUTURES AND ADVANTAGES**

- Products to create thin wall IML (In-mould labeled) container standard.
- Manufacturing by robotic technology and Unit facilities – become **Hygienic** container.
- Raw material used polypropylene copolymer **Food grade**.
- **Recyclable** is easier reducing the cost and improving the value of product.
- Label images are **Five side** on container and **Top side** on Lid.
- Container right for **Seal pack** and avoid leakage.

**APPLICABLE FOR PACKAGING**

- DAIRY and FOOD PRODUCTS.



The initiative of SATGURU Plasticpack LLP



Narendra Chaudhari  
+91 9327526541

CONTACT :  
+91 70434 01414

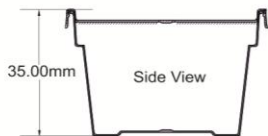
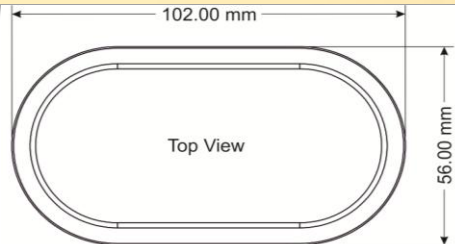


info@satguru-plastic-pack.com  
sales@satguru-plastic-pack.com



www.satguru-plastic-pack.com

### Item Code: D-44-80-1/4 OVAL CONTAINER WITH LID



#### Volume (Density 1 g/cm<sup>3</sup>)

Description	Unit	Standard
Gross Volume of Container	ml	125
Closed Container with Lid	ml	80-100

The density of water is 1 gram per cubic centimetre. Tolerance ( + / - ) : 5 ml

#### Dimensions (External)

Description	Unit	Length	Width	Height
Container	mm	101.5	55.5	34.5
Lid	mm	102.0	56.0	6
Container with Lid	mm	102.0	56.0	35

Tolerance ( + / - ) : 1 mm

#### Specification (Average)

Description	Weight (gm)	Thickness (mm)
Container	4.70	0.51
Lid	2.80	0.49
Container with Lid	7.50	0.50

Tolerance ( + / - ) : 0.5 gm and 0.1 mm

#### PRODUCTS FUTURES AND ADVANTAGES

- Products to create thin wall IML (In-mould labeled) container standard.
- Manufacturing by robotic technology and Unit facilities – become **Hygienic** container.
- Raw material used polypropylene copolymer **Food grade**.
- **Recyclable** is easier reducing the cost and improving the value of product.
- Label images are **Three side** on container and **Top side** on Lid.
- Container right for **Seal pack**.
- **Leak-proof** Container.

#### APPLICABLE FOR PACKAGING

- DAIRY and FOOD PRODUCTS.



The initiative of SATGURU Plasticpack LLP



Narendra Chaudhari  
+91 9327526541

CONTACT :  
+91 70434 01414

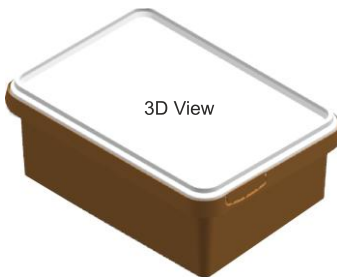
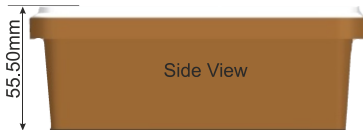
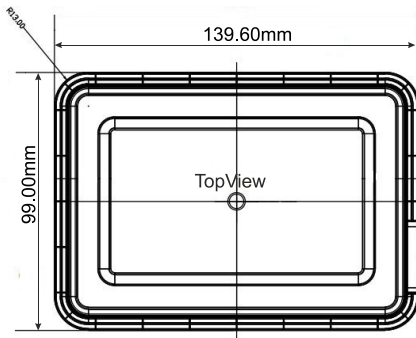


info@satguru-plastic-pack.com  
sales@satguru-plastic-pack.com



www.satguru-plastic-pack.com

**B-250-450-1/2  
RECTANGULAR CONTAINER WITH LID**



**Volume** (Density 1 g/cm<sup>3</sup>)

Description	Unit	Standard
Gross Volume of Container	ml	550
Closed Container with Lid	ml	350 - 450

The density of water is 1 gram per cubic centimetre. Tolerance (+ / -) : 5 ml

**Dimensions** (External)

Description	Unit	Length	Width	Height
Container	mm	139.60	99	55
Lid	mm	136.25	95.7	8.5
Container with Lid	mm	139.60	99	55.5

Tolerance (+ / -) : 1 mm

**Specification** (Average)

Description	Weight (gm)	Thickness (mm)
Container	21.50	0.55
Lid	9.50	0.51
Container with Lid	31.00	0.53

Tolerance (+ / -) : 0.5 gm and 0.1 mm

**PRODUCTS FUTURES AND ADVANTAGES**

- Products to create thin wall IML (In-mould labeled) container standard.
- Manufacturing by robotic technology and Unit facilities – become **Hygienic** container.
- Raw material used polypropylene copolymer **Food grade**.
- **Recyclable** is easier reducing the cost and improving the value of product.
- **Label** images are **Five side** on container and **Top side** on Lid.
- **Air tight container** – Leak proof.
- **Tamper Evident locking seal** – Secure Proof

**APPLICABLE FOR PACKAGING**

- DAIRY and FOOD PRODUCTS.



The initiative of SATGURU Plasticpack LLP



Narendra Chaudhari  
+91 9327526541

CONTACT :  
+91 70434 01414

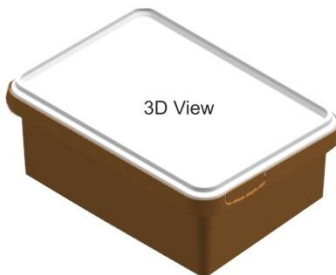
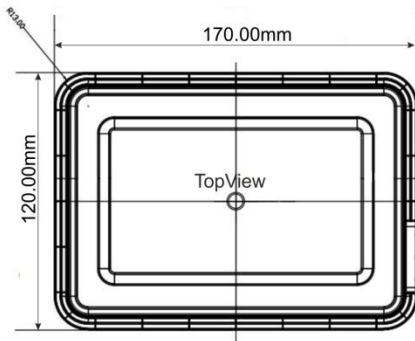


info@satguru-plastic-pack.com  
sales@satguru-plastic-pack.com



www.satguru-plastic-pack.com

**Item Code: E-500-780-1/2  
RECTANGULAR CONTAINER WITH LID**



**Volume** (Density 1 g/cm<sup>3</sup>)

Description	Unit	Standard
Gross Volume of Container	ml	750
Closed Container with Lid	ml	600 - 700

The density of water is 1 gram per cubic centimetre. Tolerance (+ / -) : 5 ml

**Dimensions** (External)

Description	Unit	Length	Width	Height
Container	mm	160	120	58
Lid	mm	156	114	8.5
Container with Lid	mm	160	120	60

Tolerance (+ / -) : 1 mm

**Specification** (Average)

Description	Weight (gm)	Thickness (mm)
Container	29.50	0.65
Lid	12.50	0.55
Container with Lid	42.00	0.60

Tolerance (+ / -) : 0.5 gm and 0.1 mm

**PRODUCTS FUTURES AND ADVANTAGES**

- Products to create thin wall IML (In-mould labeled) container standard.
- Manufacturing by robotic technology and Unit facilities – become **Hygienic** container.
- Raw material used polypropylene copolymer **Food grade**.
- **Recyclable** is easier reducing the cost and improving the value of product.
- **Label images are Five side** on container and **Top side** on Lid.
- **Air tight container – Leak proof.**
- **Tamper Evident locking seal – Secure Proof**

**APPLICABLE FOR PACKAGING**

- DAIRY and FOOD PRODUCTS.



The initiative of SATGURU Plasticpack LLP



Narendra Chaudhari  
+91 9327526541

CONTACT :  
+91 70434 01414

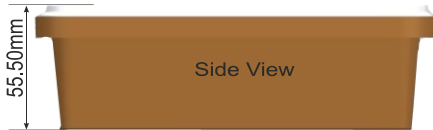
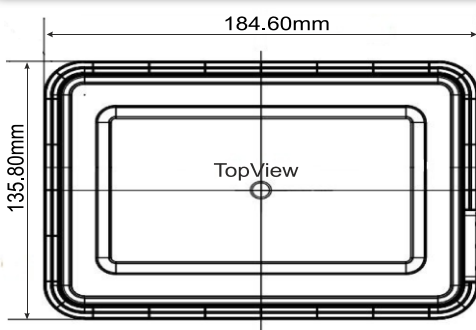


info@satguru-plastic-pack.com  
sales@satguru-plastic-pack.com



www.satguru-plastic-pack.com

### Item Code: C-500-900-1/2 RECTANGULAR CONTAINER WITH LID



#### Volume (Density 1 g/cm<sup>3</sup>)

Description	Unit	Standard
Gross Volume of Container	ml	1050
Closed Container with Lid	ml	750 – 950

The density of water is 1 gram per cubic centimetre. Tolerance ( + / - ) : 5 ml

#### Dimensions (External)

Description	Unit	Length	Width	Height
Container	mm	184.60	135.80	55
Lid	mm	180.90	132.10	8.5
Container with Lid	mm	184.60	135.80	55.5

Tolerance ( + / - ) : 1 mm

#### Specification (Average)

Description	Weight (gm)	Thickness (mm)
Container	35.15	0.55
Lid	17.20	0.51
Container with Lid	52.35	0.53

Tolerance ( + / - ) : 0.5 gm and 0.1 mm

#### PRODUCTS FUTURES AND ADVANTAGES

- Products to create thin wall IML (In-mould labeled) container standard.
- Manufacturing by robotic technology and Unit facilities – become **Hygienic** container.
- Raw material used polypropylene copolymer **Food grade**.
- **Recyclable** is easier reducing the cost and improving the value of product.
- **Label images are Five side** on container and **Top side** on Lid.
- **Air tight container – Leak proof.**
- **Tamper Evident locking seal – Secure Proof**

#### APPLICABLE FOR PACKAGING

- DAIRY and FOOD PRODUCTS.



The initiative of SATGURU Plasticpack LLP



Narendra Chaudhari  
+91 9327526541

CONTACT :  
+91 70434 01414



info@satguru-plastic-pack.com  
sales@satguru-plastic-pack.com



www.satguru-plastic-pack.com



*Their latest technology will integrate the pre-printed polypropylene label into the mould beforehand thus after injection.*

*IML (In Mould Labelling ) is a one-step decorating/manufacturing process for labelling a plastic container while it is in its mould. It results in a full labelled part directly from the tool. The Graphic qualities are superior compared to traditional post-decorating methods since photos, illustrations, and 3-D images can be moulded directly into the package part.*

*Moulding the labels around a plastic part provides a smooth seamless surface on the final product. IML labels use a heat activated bond that secures the label to the container side wall permanently, eliminating the peeling, curling and blistering that can occur post-decorating labels. The In Mould Labelling process also accommodates three to five-sided shapes for a greater variety of design options.*

*These In Mould Labels can be integrated with various types of industrial, product & hood applications exhibiting very sturdy and robust quality.*

### Benefits and advantages of IML Packaging

- **Outstanding Print Quality** : Labels can be printed using Roto-Gravure processes, the choice usually depending on the quantities required, which is an excellent medium for high resolution and photo-realistic image reproduction. Also offset printing technique ensures high-resolution images, with up to 8 colours in labels.
- **Durable** : In mould labels (IMLs) are humidity resistant and temperature stable. Improve the containers abrasion resistance, high temperature resistance. Also can improve the barrier, water-proof, moisture-proof of containers.
- **Hygienic** : Bacteria can not harbour in IML Packaging. Closures with IMLs are scratch resistant, cannot crack or shrink and are not susceptible to wrinkles, which makes them more hygienic.
- **Shorter Production Time and Lower Production Costs** : Closures with IMLs are produced in a single step which means no need to transport or store blank closures.
- **Environmentally-friendly** : IMLs and closures consist of the same material and can therefore be fully recycled. Recycling is easier, reducing the cost and improving the value of products.
- **Security** : the moulding and labelling of the product takes place as a single-step process so the security of the pack is assured, it is not possible to remove or replace the label as it is permanently bonded to the pack.
- **Sales Growth** : The possibilities that can be realized with high quality graphics will truly distinguish product at the Point of sale, almost certainly resulting in sales growth for brand with increase a brand value.



**Satguru**  
PLASTICPACK LLP

**The IML  
Containers  
Company**

*We make great impressions!*

## **IML (In Mould Labelling) Technology**

It is an advanced decoration technique used in plastic parts. The IML process consists in placing a label, which is compatible with the plastic resin used to produce the final part, inside the mould previous to the injection of the melted resin. When it hardens, the part melts with the label becoming an only body part, a one-material container 100% recyclable, indelible and without stickers.

**Adaptability, Optimization, Quality, Precision**

## **FOOD SAFETY, QUALITY CONTROL AND SERVICE**

### **Incoming quality control**

- The raw material and packing material wherever applicable, inspected and sorted before processing as food safety system standard the FSSC 22000.
- Strongly recommended food grade certificates for applicable raw material from HACCP/ ISO certified suppliers.

### **In-process quality control**

- Ensured the product manufactured are safe for human consumption and meet to existing company or standards.
- Online QC process - Only products which have been properly inspected to ensure that the product and packaging are fully acceptable and be packed into their in a hygienic manufacturing area.

### **Pre-shipment quality control**

- Providing used raw material and quality control report. take responsibility for the quality problem and work forward to address it quickly. All products pass through stringent QC before dispatch.
- Manufacturing stages are conspicuously labelled with the name of the product, batch number, batch size and stage of manufacture. Each label is initiated and dated by the authorised technical staff.

## **OUR ESTEEMED CUSTOMER**



PLASTICPACK LLP

Plot No -15, Sankalp Industrial Park, Bakrol Road,  
Taluka:Daskroi, Ahmadabad.Gujarat-383433, India.



Narendra Chaudhari  
+91 9327526541

CONTACT :  
+91 70434 01414



info@satguru-plastic-pack.com  
sales@satguru-plastic-pack.com



www.satguru-plastic-pack.com